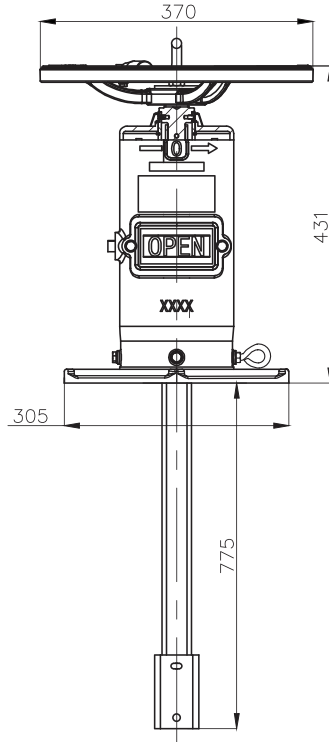




# FIREGUARD

## Indicator Post Wall Type

FGWI345



### Materials List

| Description     | Material          |
|-----------------|-------------------|
| Hoisting Ring   | ASTM A105         |
| Hex Nut         | ASTM A105         |
| Hand Wheel      | ASTM A536         |
| Gasket          | ASTM SS304        |
| Operating Nut   | ASTM A536         |
| Dust Cap        | EPDM              |
| Rethiner Ring   | 65Mn              |
| Pin             | STEEL/SS304       |
| Operating Screw | ASTM SS304        |
| Body            | ASTM A536         |
| Window Cover    | ASTM A307B        |
| Window          | EXAN-UN SATBLIZED |
| Hex Bolt        | STEEL/SS304       |
| Plat Washer     | STEEL/SS304       |
| Seal Ring       | EPDM              |
| Open Indicator  | ASTM 2024         |
| Shut Indicator  | ASTM 2024         |
| Flange          | ASTM A536         |
| Square Tube     | AISI 1045         |
| Handle          | Parts             |
| Screw           | STEEL/SS304       |
| Plug            | ASTM SS304        |
| Cotter          | STEEL/SS304       |
| Plat Washer     | STEEL/SS304       |
| Screw           | STEEL/SS304       |
| Hex Nut         | STEEL/SS304       |

### Field Adjustment:

- 1.Remove the top section from the top of the indicator post assembly.
- 2.Set the“OPEN” and “SHUT” targets for the apporprate valve size .
- 3.Reattach the Top Section to the top of the indicator Post assembly.

\*\*\*Note: Subject to change without prior notice due to products optimization.

FIREGUARD GLOBAL LTD. Unit 11, Chancel Industrial Estate, Newhall Street, Willenhall, WV13 1NX, United Kingdom

[www.fireguard-uk.com](http://www.fireguard-uk.com)

**Indicator Post**